

Genie® GR-12, GR-15 & GR-20

Specifications

| Models | GR-12 | | GR-15 | | GR-20 | |
|---|-------------|-------------|-------------|-------------|-------------|-------------|
| | US | METRIC | US | METRIC | US | METRIC |
| Working height max. - indoor ⁽¹⁾ | 17 ft 4 in | 5.45 m | 20 ft 8 in | 6.47 m | 25 ft 9 in | 8.02 m |
| Working height max. - outdoor ⁽¹⁾ | 15 ft 1 in | 4.80 m | 17 ft 1 in | 5.40 m | 21 ft 6 in | 6.70 m |
| Platform height max.- indoor | 11 ft 4 in | 3.45 m | 14 ft 8 in | 4.47 m | 19 ft 9 in | 6.02 m |
| Platform height max. - outdoor | 9 ft 1 in | 2.80 m | 11 ft 1 in | 3.40 m | 15 ft 6 in | 4.70 m |
| A B Platform dimensions (lengthxwidth) - Standard retracted | 35x29.5 in | 0.89x0.75 m | 35x29.5 in | 0.89x0.75 m | 35x29.5 in | 0.89x0.75 m |
| Platform dimensions (lengthxwidth) - Standard extended | 55x29.5 in | 1.4x0.75 m | 55x29.5 in | 1.4x0.75 m | 55x29.5 in | 1.4x0.75 m |
| C Height - stowed | 5 ft 10 in | 1.78 m | 5 ft 10 in | 1.78 m | 6 ft 6 in | 1.98 m |
| D Length- stowed | 4 ft 5 in | 1.35 m | 4 ft 5 in | 1.35 m | 4 ft 5 in | 1.35 m |
| E Width | 2 ft 5.5 in | 0.75 m | 2 ft 5.5 in | 0.75 m | 2 ft 7.5 in | 0.80 m |
| F Ground clearance (center) | 2.5 in | 6 cm | 2.5 in | 6 cm | 2.5 in | 6 cm |

Productivity

| | | | | | | |
|---|-----------|------------|-----------|------------|-----------|------------|
| Maximum platform occupancy (in/out) | 1/1 | | 1/1 | | 1/1 | |
| Lift capacity | 500 lb | 227 kg | 500 lb | 227 kg | 350 lb | 159 kg |
| Lift capacity - extension deck extended | 250 lb | 113 kg | 250 lb | 113 kg | 250 lb | 113 kg |
| Drive speed - stowed | 2.5 mph | 4.0 km/h | 2.5 mph | 4.0 km/h | 2.5 mph | 4.0 km/h |
| Drive speed - raised | 0.5 mph | 0.8 km/h | 0.5 mph | 0.8 km/h | 0.5 mph | 0.8 km/h |
| Gradeability ⁽²⁾ | 30% | | 30% | | 30% | |
| Turning radius - inside | 0 in | 0 cm | 0 in | 0 cm | 0 in | 0 cm |
| Turning radius - outside | 4 ft 4 in | 1.32 m | 4 ft 4 in | 1.32 m | 4 ft 4 in | 1.32 m |
| Lifting speed - raise/lower | 20/18 sec | | 21/19 sec | | 24/21 sec | |
| Controls - proportional | 24V DC | | 24V DC | | 24V DC | |
| Tires - Solid non-marking | 10x3x8 in | 25x8x20 cm | 10x3x8 in | 25x8x20 cm | 10x3x8 in | 25x8x20 cm |
| Tilt sensor activation (front to back/side to side) | 3°/1.5° | | 3°/1.5° | | 3°/1.5° | |

Power

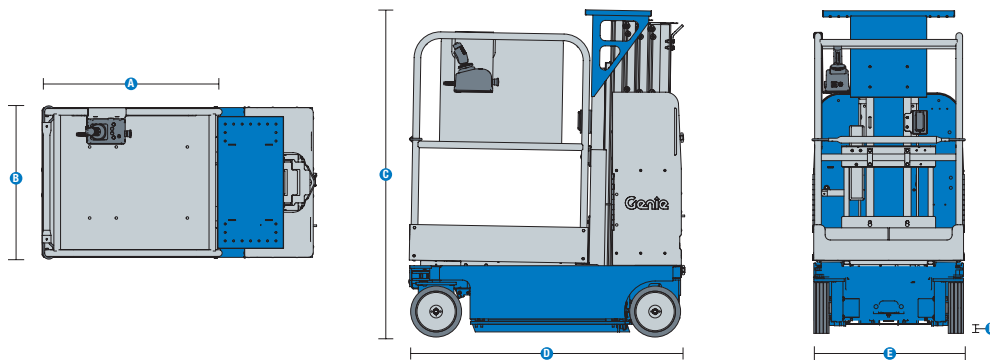
| | | | | | | |
|-------------------------|------------------|-------|------------------|-------|------------------|-------|
| Power | 24V (4x6V 225Ah) | | 24V (4x6V 225Ah) | | 24V (4x6V 225Ah) | |
| Hydraulic tank capacity | 2.2 gal | 8.33L | 2.2 gal | 8.33L | 2.2 gal | 8.33L |

Weight⁽³⁾ and Floor Loading⁽⁴⁾

| | | | | | | |
|-------------------------|------------|-----------|------------|-----------|------------|-----------|
| Weight | 1,681 lb | 763 kg | 2,178 lb | 988 kg | 2,513 lb | 1,140 kg |
| Tire load max. | 680 lb | 308 kg | 720 lb | 327 kg | 870 lb | 395 kg |
| Tire contact pressure | 104.6 psi | 721.3 KPa | 110.8 psi | 763.7 Kpa | 133.8 psi | 922.8 Kpa |
| Occupied floor pressure | 200.87 psf | 9.6 kPa | 251.99 psf | 12.1 kPa | 250.39 psf | 12.0 kPa |

Sound and Vibration Levels

| | | | | | | |
|---|----------------------------|------------------------|----------------------------|------------------------|----------------------------|------------------------|
| Sound Pressure level (ground workstation) | < 70 dBA | | < 70 dBA | | < 70 dBA | |
| Sound Pressure level (platform workstation) | < 70 dBA | | < 70 dBA | | < 70 dBA | |
| Vibrations | < 8 ft 2 in/s ² | < 2.5 m/s ² | < 8 ft 2 in/s ² | < 2.5 m/s ² | < 8 ft 2 in/s ² | < 2.5 m/s ² |



(1) The metric equivalent of working height adds 2m to platform height. U.S. adds 6ft to platform height.

(2) Gradeability applies to driving on slopes and may vary depending on options and machine configurations. See operator's manual for details regarding slope ratings.

(3) Weight refers to standard configuration and may vary depending on options and/or country standards.

(4) Floor loading information is approximate and may vary depending on options and machine configurations. It should be used only with adequate safety factors.

Genie® GR-12, GR-15 & GR-20

SKU: Standard Model

- **GR120001AE0001:** GR-12, Gated extension platform
- **GR150001AE0002:** GR-15, Gated extension platform
- **GR200001AE0001:** GR-20, Gated extension platform

* Build to Order

| Option availability | | S | S+ | BtO |
|----------------------------|--|---|----|-----|
| Power | Standard FLA flood lead acid batteries | ✓ | ✓ | ✓ |
| | AGM maintenance-free batteries | | ○ | ○ |
| | Power inverter | | ○ | ○ |
| | Retractable Charging cord | | ○ | ○ |
| Platform | Sliding mid-rail standard aluminum platform | | | ○ |
| | Sliding mid-rail extension aluminum platform | | | ○ |
| | Gated extension aluminum platform | ✓ | ✓ | ✓ |
| | Automotive-style horn | | ○ | ○ |
| | Lift Tools Work Tray | | ○ | ○ |
| | AC power to platform | ✓ | ✓ | ✓ |
| | Auxiliary platform lowering | ✓ | ✓ | ✓ |
| | Platform control guard | ✓ | ✓ | ✓ |
| | Platform load sense system | ✓ | ✓ | ✓ |
| | Proportional lift and drive | ✓ | ✓ | ✓ |
| | SmartLink dual zone control system | ✓ | ✓ | ✓ |
| Chassis | Lift Connect Telematics | | ○ | ○ |
| | Lift Connect with Access Manager upgrade | | ○ | ○ |
| | Biodegradable hydraulic oil | | | ○ |
| | Drive cut-out while charging | | ○ | ○ |
| | Lift Guard White Noise Alarm | | ○ | ○ |
| | Descent, tilt, and motion alarm | ✓ | ✓ | ✓ |
| | Dual LED flashing beacons | ✓ | ✓ | ✓ |
| | Dual wheel multi-disc brakes | ✓ | ✓ | ✓ |
| | Hinged rear ABS covers for easy access | ✓ | ✓ | ✓ |
| | Hour meter | ✓ | ✓ | ✓ |
| | Hydraulic brake release | ✓ | ✓ | ✓ |
| | Large forklift pockets access | ✓ | ✓ | ✓ |
| | On-board diagnostic system with battery charge indicator | ✓ | ✓ | ✓ |
| | Overhead crane attachment point | ✓ | ✓ | ✓ |
| | Pothole protection | ✓ | ✓ | ✓ |
| | Solid non-marking tires | ✓ | ✓ | ✓ |
| Tech Pro Link connector | ✓ | ✓ | ✓ | |
| Tie-down attachment points | ✓ | ✓ | ✓ | |

- S Standard
- S+ Standard +
- BtO Build to Order
- ✓ Standard Features
- Options



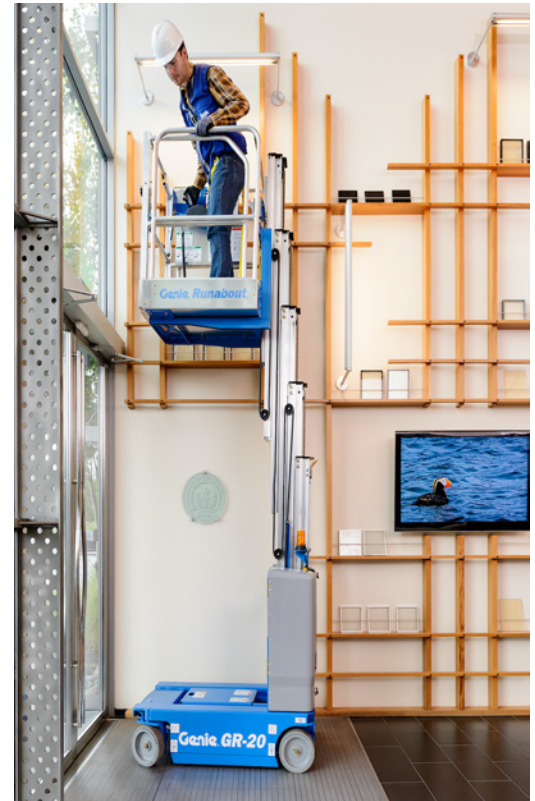
Zero Inside Turning Radius



Narrow Access



Low Entry Height



Genie Genuine Accessories⁽¹⁾

- Lift Tools productivity tools
- Lift Connect Telematics subscription extension
- Tech Pro Link Connector

(1) More accessories available from Genie Genuine Parts.

Product specifications are subject to change without notice or obligation. Photographs and/or drawings herein are for illustrative purposes only. Refer to the appropriate Operator's Manual for instructions on proper equipment use. Failure to follow instructions in the Operator's Manual may result in serious injury or death. The only warranty applicable to our equipment is the standard written warranty applicable to the particular product and sale and we make no other warranty, express or implied. Products and services listed may be trademarks, service marks or trade names of Terex Corporation and/or their subsidiaries in the USA and many other countries. Terex, Genie, Quality By Design, Xtra Capacity, Lift Power, Lift Guard, Lift Tools, Lift Connect and Tech Pro Link are registered trademarks of Terex Corporation or its subsidiaries.