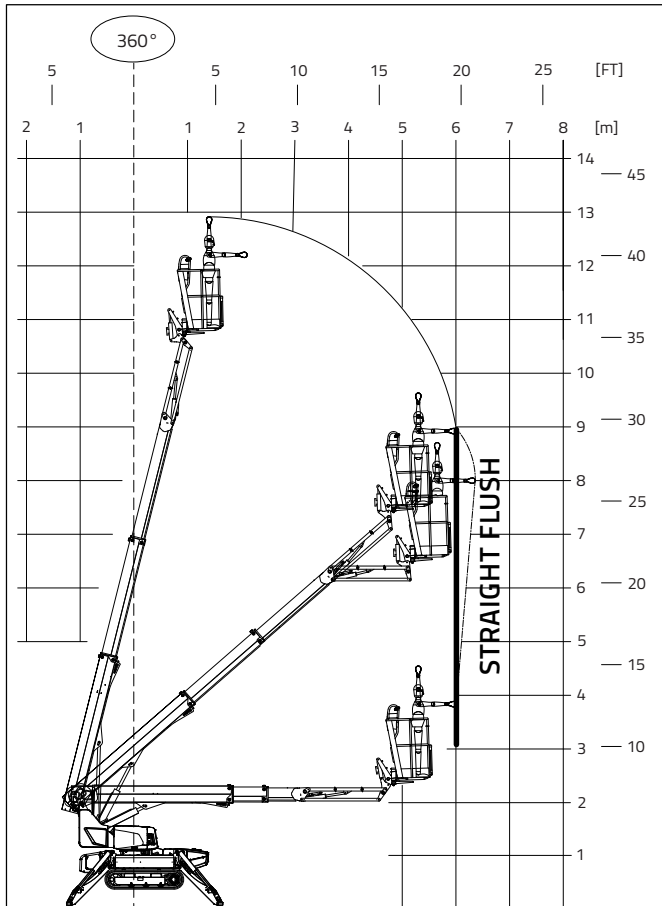
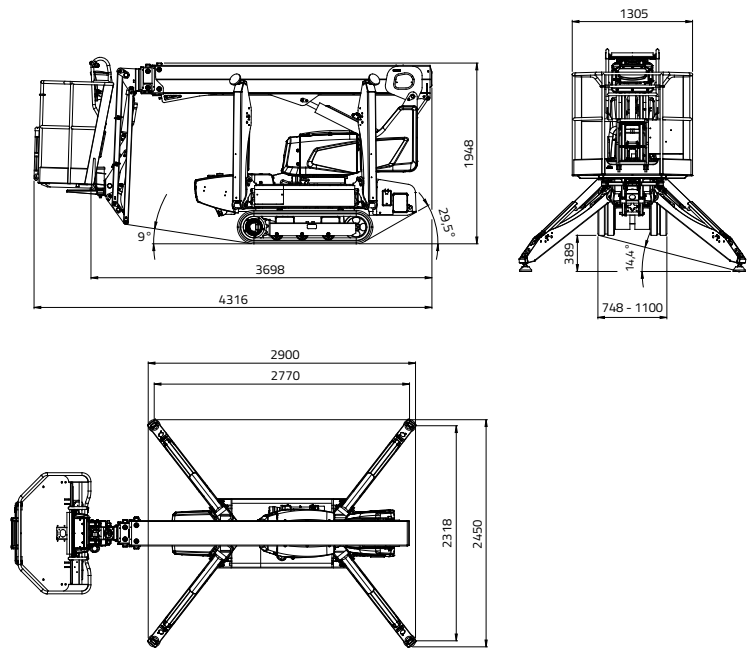


TELECRAWLER13N



CAPACITY 136 kg
(1 person 80 kg + tool box 56 kg)



- 12,90 m
- 6,40 m
- 4,316 m
- 3,698 m
- 1,948 m

- 1305 x 600 x h1100 mm
- 16° / 28,7%
- 748 - 1100 mm
- 1334 daN - 10,1 daN/cm²
- 2900 x 2450 mm

- Automatic set up system IIS std.
- Remote control
- GPRS-GPS
- R.A.H.M.

TELECRAWLER13N



LITHIUM-ION SYSTEM

Lithium-ion powered.....	4,15 kWh
Electric motor :	
- rated voltage.....	48 V
- rated power.....	2 kW
Onboard battery charger.....	220V +-30V 50-60Hz / 110V +-30V 50-60Hz
Autonomy.....	4-5 h
Recharge time on flat batteries.....	4 h (indicative)
Recharge time to 80% on flat batteries.....	2 h (indicative)

ELECTRIC MOTOR

Standard.....	230V / 50 Hz - 2,2 kW
Optional.....	110V / 50 Hz - 2,2 kW

TRACKED UNDERCARRIAGE

Track tensioner.....	grease-filled
Rollers no. per side.....	3 + slide
Translation speed.....	1,3 - 2,3 - 3,2 km/h

WEIGHT MACHINE..... 1.895 kg

MAX WIND SPEED..... 12,5 m/s